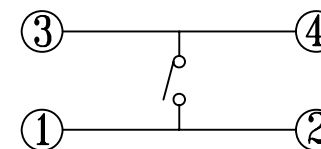
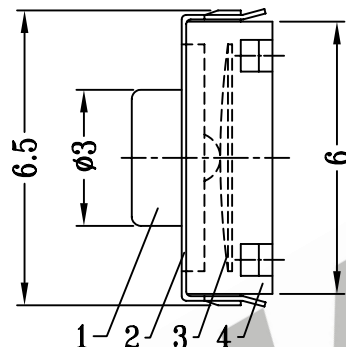
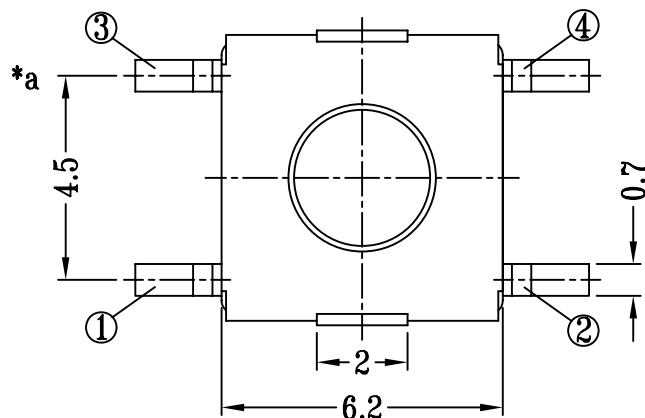
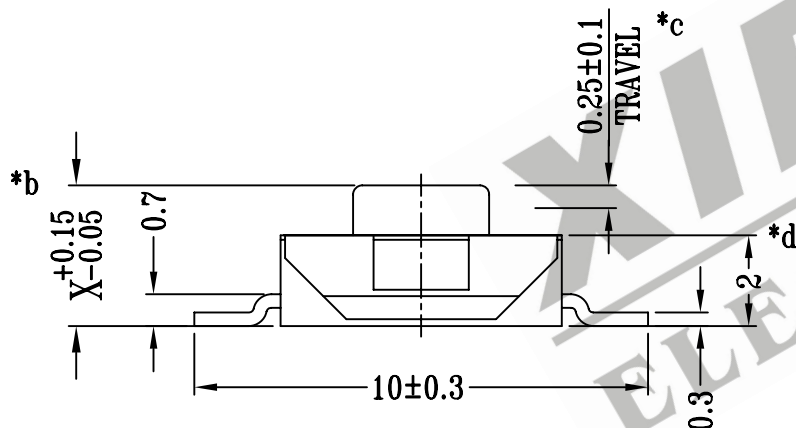


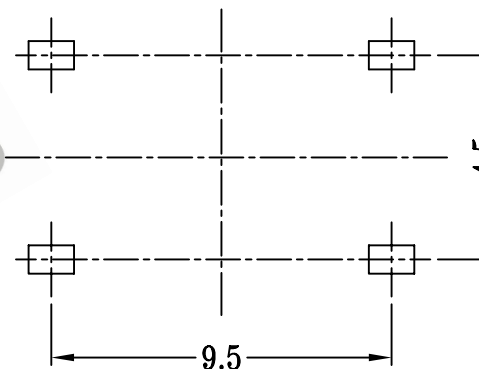
CAD FILE:



SCHMATIC



OPERATING FORCE	CODE
100gf	T
130gf	V
160gf	X
170gf	W
190gf	Y
250gf	Z



P.C.B. LAYOUT

MODEL NO.	TD-28XB	TD-28XA
X=	2.5	3.1

注:带"*"表示关键尺寸(4个)

				TOLERANCE UNLESS SPECIFIED	SHENZHEN XIEJIA ELECTRONICS CO.,LTD.							
				WITHIN: 1.5±0.1mm	ISSUE	DATE	DESCRIPTIONS OF REVISION		APPD.			
				OVER: 1.5±0.2mm								
8					TITLE : TACT SWITCH				UNIT : mm	DRWG NO.: XJ-DR-TD28XB-00		
7					MODEL: TD-28XB(XA)				SCALE: 6:1	DWN.	ZHOUYU	2003-8-5
6					ALL MATERIALS MUST BE COMPLIANT TO ROHS					CHK'D	FANGYING	2003-8-5
5										APPD.	KANGXINAN	2003-8-5
4	CASE	NYLON+F.G/BRASS STRIP	1	BLACK/Ag PLATED OVER Ni PLATED								
3	CONTACT	PBS	1	Ag CLAD								
2	COVER	SUS	1	WASHING								
1	KNOB	NYLON	1	RED								
NO.	PARTS	MATERIALS	Q'TY	FINISH								